



## WEG SERIES HEAVY DUTY ELECTRIC GRIDDLE



Model WEG36D



### SPECIFICATIONS

Heavy duty electric griddle, Wolf Model No. \_\_\_\_\_. Stainless steel front and sides. 13" cooking height on 4" adjustable legs. 1/2" thick polished steel griddle plate. Tubular incoloy elements and one snap action thermostat for every 12" of griddle width. Thermostats adjust from 200° to 450° F. Stainless steel 4" back and tapered side splashes. 3 1/8" wide front grease trough empties into large capacity grease drawer. Available in 208V, 240V, 50/60 Hz, 1 or 3 phase. 480V, 50/60 Hz, 3 phase.

NSF listed. UL listed. UL listed to Canadian safety standards. Energy Star rated.

**SPECIFY VOLTAGE WHEN ORDERING.**

- WEG24D** 24" w x 24" d griddle plate
- WEG36D** 36" w x 24" d griddle plate
- WEG48D** 48" w x 24" d griddle plate
- WEG60D** 60" w x 24" d griddle plate
- WEG72D** 72" w x 24" d griddle plate

### STANDARD FEATURES

- Stainless steel front, sides and 4" adjustable legs.
- 1/2" thick polished steel griddle plate.
- 13" cooking height on 4" adjustable legs.
- Two solid sheathed tubular incoloy heating elements, one snap action thermostat and cycling light per each 12" griddle width. Thermostats adjust from 200° to 450°F.
- Stainless steel 3" back and tapered side splashes.
- 3 1/8" wide front grease trough empties into a large capacity grease drawer. 60" and 72" models have two grease drawers.
- Available in 208V or 240V, 50/60 Hz, 1 or 3 phase power supply. 480V, 50/60 Hz, 3 phase power supply.
- WEG36D, WEG48D, WEG60D and WEG72D models are Energy Star rated.
- One year limited parts and labor warranty.

### OPTIONAL FEATURES

- Stainless steel stand with marine edges and casters.



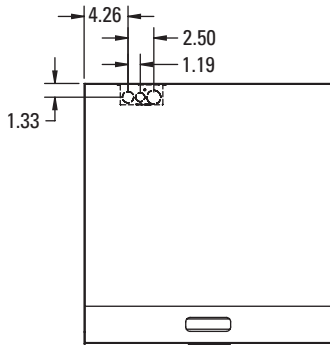
a division of ITW Food Equipment Group LLC

**WEG SERIES**  
HEAVY DUTY ELECTRIC GRIDDLE

ELECTRICAL CHARACTERISTICS

STANDARD VOLTAGES – 208 VOLTS OR 240 VOLTS 50/60 Hz. – SINGLE OR THREE PHASE 480 VOLTS 50/60 Hz. – THREE PHASE ONLY																
MODEL NO.	TOTAL CONN. KW	TOTAL KW PER CONN	3 PHASE LOADING KW PER PHASE PER CONN.			NOMINAL AMPS PER LINE WIRE CONN.*										
						3 PHASE									1 PHASE	
						208 VOLT			240 VOLT			480 VOLT			208	240
			X-Y	Y-Z	X-Z	X	Y	Z	X	Y	Z	X	Y	Z	VOLT	VOLT
WEG24D	10.8	10.8	5.4	0.0	5.4	45.0	26.0	26.0	39.0	22.5	22.5	19.5	11.3	11.3	51.9	45.0
WEG36D	16.2	16.2	5.4	5.4	5.4	45.0	45.0	45.0	39.0	39.0	39.0	19.5	19.5	19.5	77.9	67.5
WEG48D	21.6	21.6	10.8	5.4	5.4	68.7	68.7	45.2	59.5	59.5	39.0	29.8	29.8	19.5	103.9	90.0
WEG60D**	27.0	16.2	5.4	5.4	5.4	45.0	45.0	45.0	39.0	39.0	39.0	19.5	19.5	19.5	77.9	67.5
		10.8	5.4	0.0	5.4	45.0	26.0	26.0	39.0	22.5	22.5	19.5	11.3	11.3	51.9	45.0
WEG72D*	32.4	16.2	5.4	5.4	5.4	45.0	45.0	45.0	39.0	39.0	39.0	19.5	19.5	19.5	77.9	67.5
		16.2	5.4	5.4	5.4	45.0	45.0	45.0	39.0	39.0	39.0	19.5	19.5	19.5	77.9	67.5

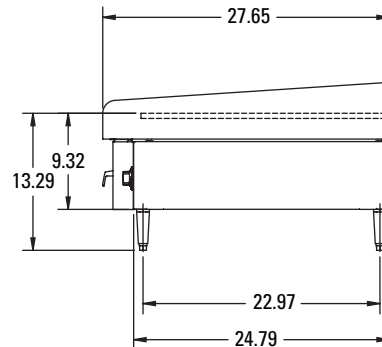
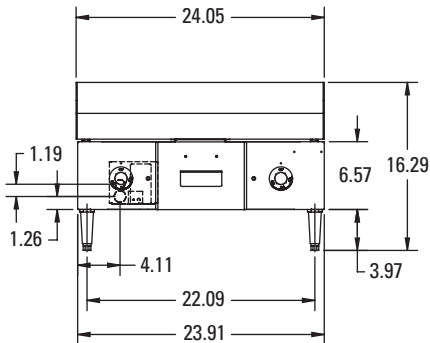
\*Model WEG60D and WEG72D require two separate electrical connections and services.



WEG24D

NOTE:  
1.09, 0.88 & 1.38 Ø KNOCKOUTS IN BACK AND BOTTOM FOR CONDUIT ENTRANCE

SIDE VIEW  
ALL SIZES



## WEG SERIES HEAVY DUTY ELECTRIC GRIDDLE

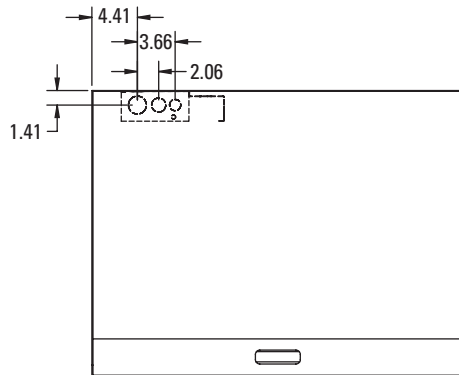
MODEL NO.	OVERALL DIMENSIONS			COOKING SURFACE DEPTH	GREASE DRAWER CAPACITY (Gals.)	APPROX. SHIP WT.
	WIDTH	DEPTH	HEIGHT*			
WEG24D	24" (610)	27 <sup>5</sup> / <sub>8</sub> " (702)	16 <sup>3</sup> / <sub>8</sub> " (415)	24" (610)	1.5	157 lbs / 71 kg
WEG36D	36" (914)				1.5	208 lbs / 94 kg
WEG48D	48" (1219)				1.5	259 lbs / 117 kg
WEG60D	60" (1524)				2 x 1.5	314 lbs / 142 kg
WEG72D	72" (1821)				2 x 1.5	560 lbs / 254 kg

(Dimensions in parenthesis are in millimeters)

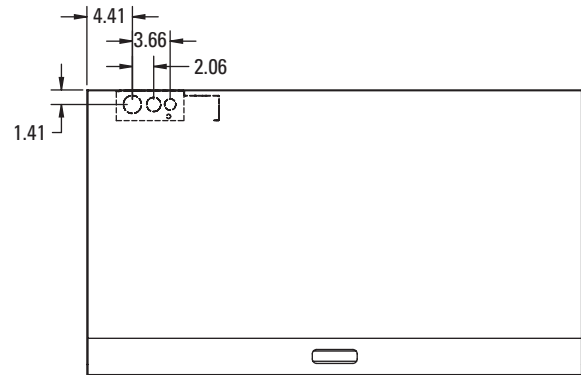
**INSTALLATION CLEARANCES:** Sides and rear must be 1" from the nearest combustible construction and 0" from non-combustible construction. Bottom must be 4" from combustible or non-combustible construction. This appliance is manufactured for commercial installation only and is not intended for home use.

\*These are nominal dimensions and can vary by +0.62" with adjustable leg.

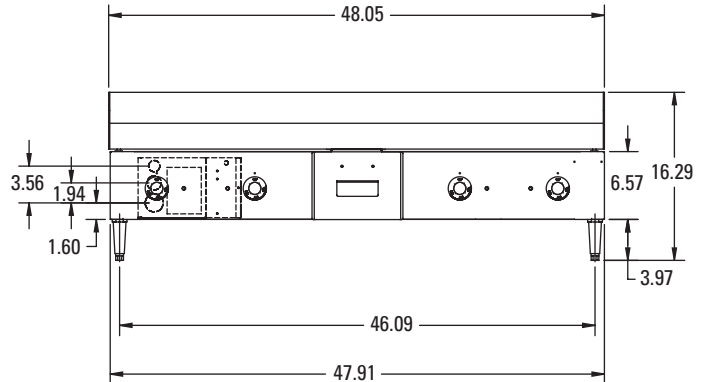
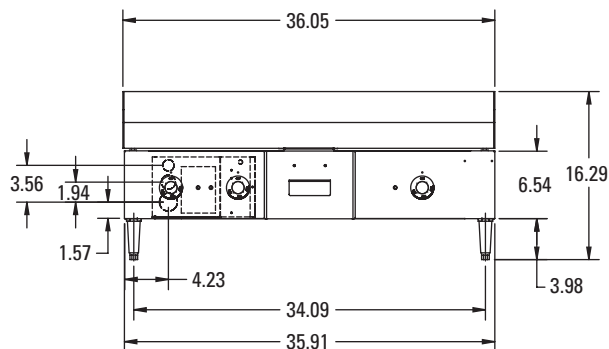
NOTE:  
1.09, 1.38 & 1.75 Ø KNOCKOUTS IN BACK AND BOTTOM FOR CONDUIT ENTRANCE



WEG36D

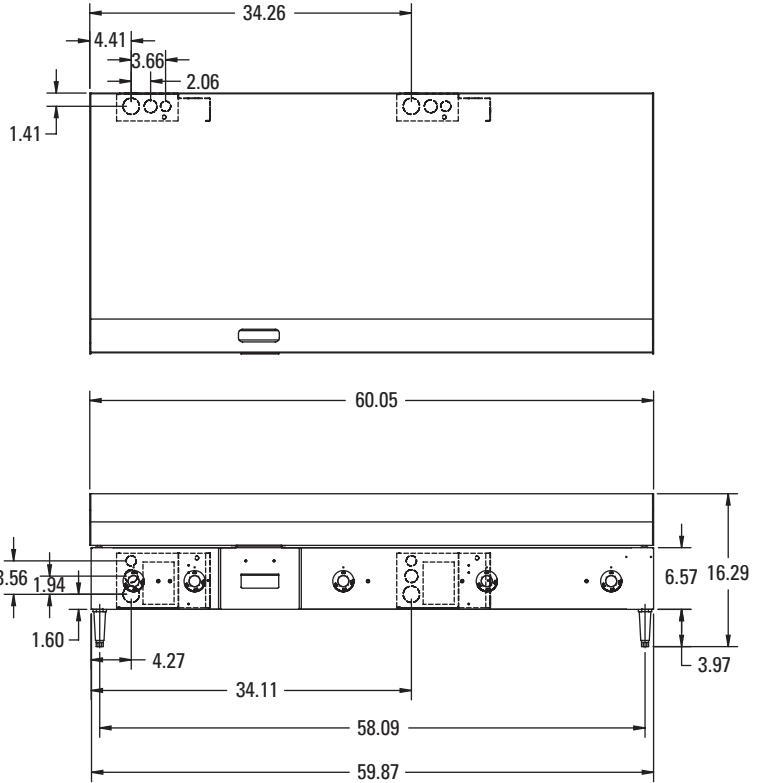


WEG48D

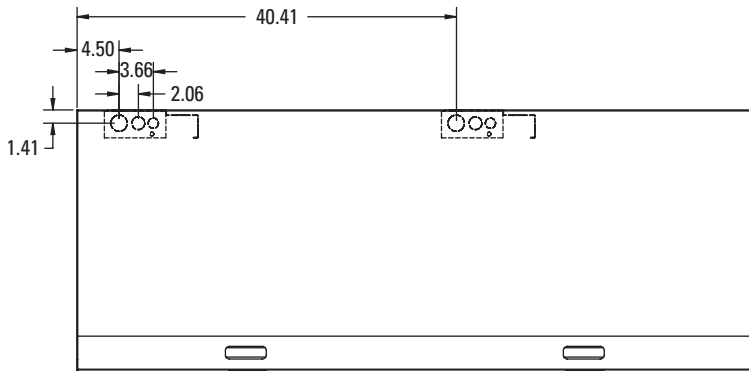


## WEG SERIES HEAVY DUTY ELECTRIC GRIDDLE

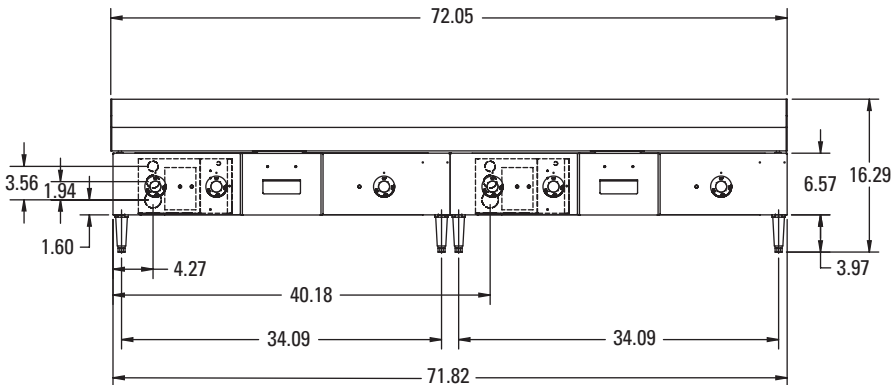
NOTE:  
1.09, 1.38 & 1.75 Ø KNOCKOUTS IN BACK  
AND BOTTOM FOR CONDUIT ENTRANCE



WEG60D



WEG72D



SIDE VIEW  
ALL SIZES

