



ACHIEVER SERIES MANUALLY CONTROLLED GRIDDLES

WOLF RANGE COMPANY

BASIC MODELS:

AGM24	24" w x 24" d griddle plate
AGM36	36" w x 24" d griddle plate
AGM48	48" w x 24" d griddle plate
AGM60	60" w x 24" d griddle plate
AGM72	72" w x 24" d griddle plate



Model AGM36

KEY FEATURES:

- Stainless steel front and sides.
- Stainless steel front, sides and 4" front top ledge.
- Fully welded stainless and aluminized steel body frame.
- 11" low profile cooking height on 4" adjustable legs.
- 3/4" thick polished steel griddle plate robotically welded to stainless steel back and tapered side splashers.
- One 30,000 BTU/hr. "U" shaped aluminized steel burner.
- One infinite heat control valve per 12" of griddle width.
- 3 1/2" wide stainless steel front grease trough.
- Large capacity 6 7/8" wide x 30" deep x 2 1/2" high stainless steel grease drawer.
- 3/4" rear gas connection and gas pressure regulator.
- One year limited parts and labor warranty.

OPTIONAL FEATURES:

- Chrome-plated cooking surface.
- Rear grease trough.

ACCESSORIES:

- Stainless steel stand with marine edge and casters.
- Full width cutting board.
- 4' flexible gas hose with quick disconnect and restraining device. Consult price book for available sizes.
- Towel bar.

DESCRIPTION:

Low profile heavy duty gas griddle, Wolf Model No. _____. Stainless steel front, sides and 4" front top ledge. Fully welded stainless and aluminized steel body frame. 11" low profile cooking height on 4" legs. 3/4" thick polished steel griddle plate robotically welded to stainless steel back and tapered side splashers. One 30,000 BTU/hr. "U" shaped aluminized steel burner. One infinite heat control valve per 12" of griddle width. 3 1/2" wide stainless steel front grease trough. Large capacity 6 7/8" wide x 30" deep x 2 1/2" high stainless steel grease drawer. 3/4" rear gas connection and gas pressure regulator.

Exterior dimensions: _____" w x 33" d x 15 1/2" h on 4" legs.



Design Certified by the American Gas Association
Design Certified by the Canadian Gas Association

Approved by _____

Date: _____

**SPECIFY TYPE OF GAS AND FINISH WHEN ORDERING.
SPECIFY ALTITUDE WHEN ABOVE 3,000 FT.**

WOLF RANGE COMPANY

Wolf Range Company
Division of ITW Food Equipment Group LLC
(800) 366-9653
www.wolfrange.com

MODEL: ACHIEVER SERIES Manually Controlled Griddles



Achiever Series Manually Controlled Griddles

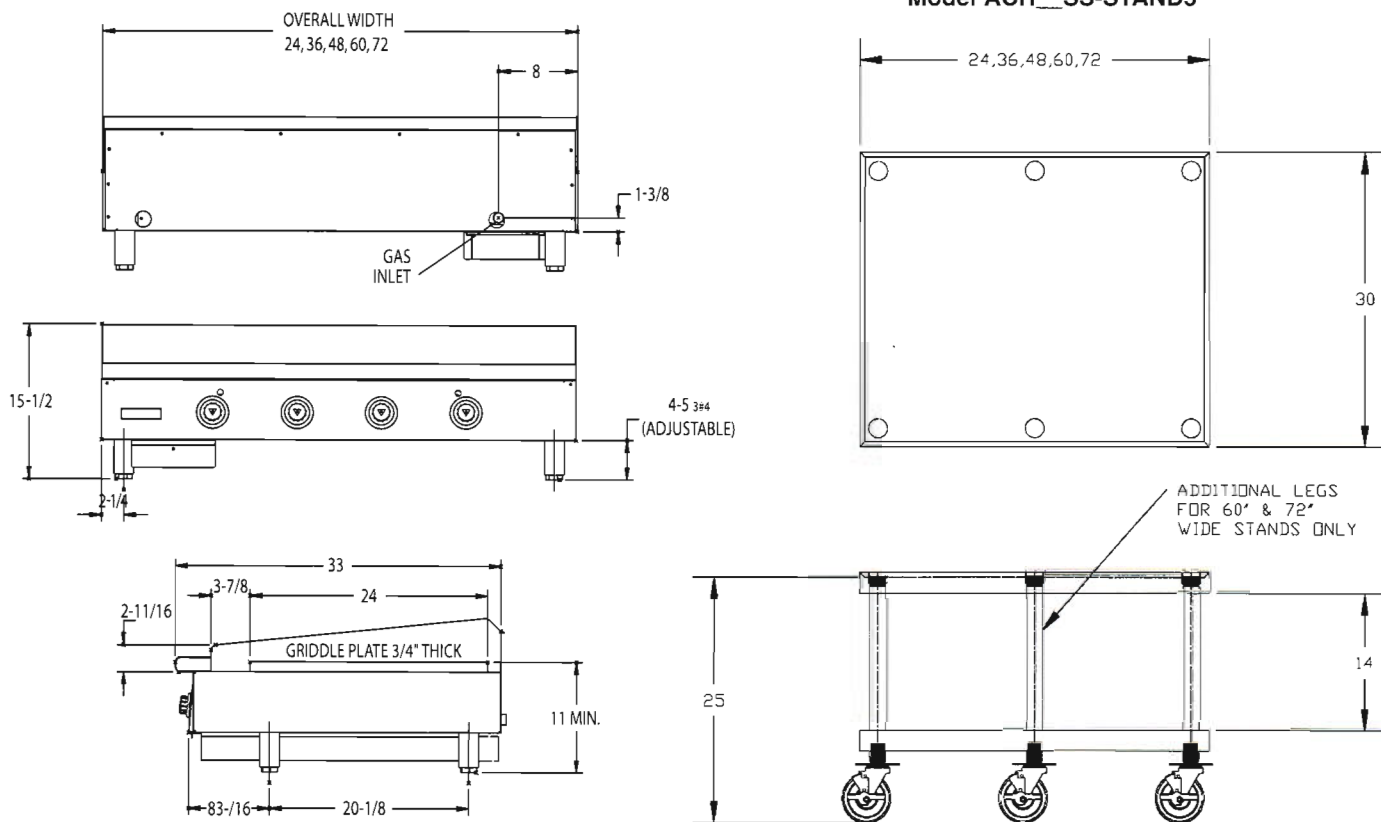
INSTALLATION REQUIREMENTS:

1. A gas pressure regulator supplied with the unit must be installed:
Natural Gas 5.0" (127 mm) W.C.
Propane Gas 10.0" (254 mm) W.C.
2. All models require a 6" (152 mm) clearance at both sides and rear adjacent to combustible and non-combustible construction.
3. These units are manufactured for installation in accordance with ANSI/NFPA-70, National Electrical code.

An adequate ventilation system is required for Commercial Cooking Equipment (NFPA No. 96). Information may be obtained by writing to the National Fire Protection Association, Batterymarch Park, Quincy, MA 02269.

4. These units are manufactured for installation in accordance with ANSZ-223.1, National Fuel Gas Code. Copies may be obtained from the American Gas Association, 1515 Wilson Blvd., Arlington, VA 22209.
5. This appliance is manufactured for commercial installation only and is not intended for home use.

Model ACH_SS-STAND5



MODEL	WIDTH	DEPTH	OVERALL HEIGHT*	WORKING HEIGHT*	NO. OF BURNERS	TOTAL BTU/HR.	NO. OF DRAWERS	APPROX. SHP. WT.
AGM24	24"	33"	15 1/2"	11"	2	60,000	1	285 lbs./129 kg
AGM36	36"	33"	15 1/2"	11"	3	90,000	1	400 lbs./181 kg
AGM48	48"	33"	15 1/2"	11"	4	120,000	1	480 lbs./218 kg
AGM60	60"	33"	15 1/2"	11"	5	150,000	1	650 lbs./295 kg
AGM72	72"	33"	15 1/2"	11"	6	180,000	2	790 lbs./358 kg

*These are nominal dimensions and can vary by +1.75" with adjustable legs.

**NOTE: In line with its policy to continually improve its product, Wolf Range Company reserves the right to change materials and specifications without notice.
This appliance is manufactured for commercial use only and is not intended for home use.**