

RESTAURANT RANGES**CHALLENGER XL GAS RESTAURANT RANGE**
8 OPEN BURNERS
48" WIDE GAS RANGE**Model C48SS-8B-N**

(shown with optional casters)

Connect-a-Range shipped in multiple cartons**SPECIFICATIONS**

48" wide gas restaurant range, Wolf Challenger XL Model No. C48SS-8B-N. Fully MIG welded aluminized steel frame for added durability. Stainless steel front, sides, backriser, high shelf and 6" adjustable legs. Extra deep crumb tray with welded corners. Eight 30,000 BTU/hr. open top burners with lift-off burner heads. Energy saving flashtube open burner ignition system (one pilot for every two burners) shrouded for reliability. Heavy duty cast grates, easy lift-off 12" x 12½" in the front and 12" x 14½" in the back to better accommodate stock pots or large pans. Grates have a built in aeration bowl for greater efficiency. Burner knobs are cool to the touch, high temperature material. Two ovens: 23,000 BTU/hr. standard bakers depth ovens with porcelain oven bottom and door panel, measures 26¼"d x 20¼"w x 14"h. Oven thermostat adjusts from 250°F to 500°F with a low setting. Oven is supplied with two racks, two rack guide sets, and four rack positions. Oven door is heavy duty with an integrated door hinge/spring mechanism requiring no adjustment. 1" rear gas connections with rear manifold and pressure regulator. Total input 286,000 BTU/hr.

Exterior Dimensions:

34"d x 48"w x 58"h on 6" adjustable legs

 C48SS-8B-N 1 Standard Oven / Natural Gas **C48SS-8B-P** 1 Standard Oven / Propane**STANDARD FEATURES**

- Fully MIG welded frame
- Stainless steel front, sides, backriser, lift-off high shelf
- 6" stainless steel adjustable legs
- Eight open top burners, each burner is 30,000 BTU/hr. with lift-off burner heads
- Shrouded flash tube pilot system (one pilot per two burners)
- Heavy duty cast grates, easy lift-off 12" x 12½" in front and 12" x 14½" in the rear
- Extra deep pull out crumb tray with welded corners
- Two ovens: 23,000 BTU/hr. baker's depth standard oven cavity, Full size sheet pans fit front-to-back
- Oven thermostat adjusts from 250°F to 500°F
- Two oven racks and four rack positions
- One year limited parts and labor warranty

ACCESSORIES (Packaged & Sold Separately)

- Extra oven rack with rack guides
- Casters (set of four)
- Leveling casters (set of four)
- Flanged feet (set of four)
- 10" stainless steel stub back

CHALLENGER XL GAS RESTAURANT RANGE

8 OPEN BURNERS

48" WIDE GAS RANGE

INSTALLATION INSTRUCTIONS

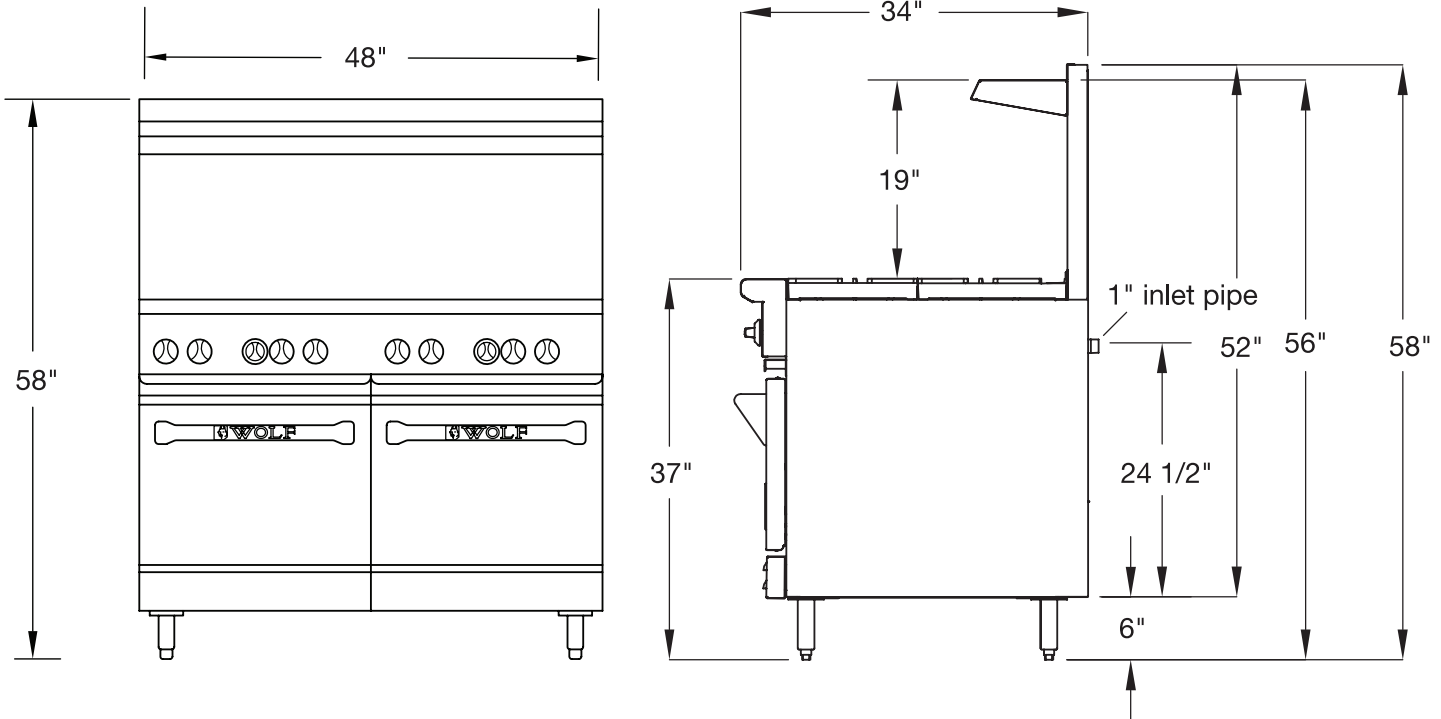
1. A pressure regulator sized for this unit is included. Natural gas 5.0" W.C., propane gas 10.0" W.C.
2. Gas line connecting to range must be 1" or larger. If flexible connectors are used, the inside diameter must be 1" or larger.
3. An adequate ventilation system is required for commercial cooking equipment. Information may be obtained by writing to the National Fire Protection Association, 1 Batterymarch Park, Quincy, MA 02269, www.NFPA.org. When writing, refer to NFPA No. 96.
4. These units are manufactured for installation in accordance with ANSZ223.1A (latest edition), National Fuel Gas Code. Copies may be obtained from The American Gas Association, 400 N Capitol St. NW, Washington, DC 20001, www.AGA.org.

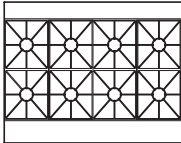
5. **Clearances**

	Rear	Sides
Combustible	6"	10"
Standard Oven Non-combustible	0"	0"
Convection Oven Non-combustible	Min. 4"	0"
6. For proper combustion, install equipment on adjustable legs or casters provided with unit.

NOTE: In line with its policy to continually improve its product, Vulcan reserves the right to change materials and specifications without notice.

**Specify type of gas when ordering.
Specify altitude when above 2,000 feet.**



TOP CONFIGURATION	MODEL NUMBER	DESCRIPTION	TOTAL INPUT BTU / HR	SHIPPING WEIGHT (2 Separate Cartons) LBS / KG
	C48SS-8B-N	2 Standard Ovens / 8 Burners / Natural Gas	286,000	700 / 318
	C48SS-8B-P	2 Standard Ovens / 8 Burners / Propane	286,000	700 / 318

This appliance is manufactured for commercial use only and is not intended for home use.