



# MODEL: CMJ SERIES GAS INFRARED CHEESEMELTER

**WOLF RANGE COMPANY**



**Model CMJ36**

**BASIC MODELS:**

- CMJ24**     24" cheesemelter broiler.
- CMJ34**     34" cheesemelter broiler.
- CMJ36**     36" cheesemelter broiler.
- CMJ48**     48" cheesemelter broiler.
- CMJ60**     60" cheesemelter broiler.
- CMJ72**     72" cheesemelter broiler.

**KEY FEATURES:**

- Stainless steel front, top, bottom and sides.
- Equipped with heavy-duty pre-mix atmospheric infrared burners.
- Standing pilot ignition system.
- Heavy-duty chrome plated grid rack and 3 position rack guide.
- Removable full width spillage pan.
- 3/4" rear gas connection and gas pressure regulator.
- One year limited parts and labor warranty.

**OPTIONAL FEATURES:**

- Set of stainless steel wall mount brackets.
- Set of four 4" legs with adjustable feet.

**DESCRIPTION:**

Gas infrared cheesemelter broiler, Wolf Model No. \_\_\_\_\_. Stainless steel exterior. Equipped with heavy-duty pre-mix atmospheric infrared burners. Heavy-duty chrome plated grid rack and 3 position rack guide. 3/4" rear gas connection and gas pressure regulator.

Exterior dimensions: \_\_\_\_"w x 20½"d x 19¼"h.



CSA design certified. NSF listed.

Approved by \_\_\_\_\_

Date: \_\_\_\_\_

**SPECIFY TYPE OF GAS WHEN ORDERING.  
SPECIFY ALTITUDE WHEN ABOVE 2,000 FT.**

**WOLF RANGE COMPANY**

Wolf Range Company  
Division of ITW Food Equipment Group LLC  
(800) 366-9653  
www.wolfrange.com

**MODEL: CMJ SERIES Gas Infrared Cheesemelter**



# Model CMJ Series Gas Infrared Cheesemelter

## INSTALLATION REQUIREMENTS:

1. A gas pressure regulator sized for this unit is included. Natural Gas 5.0" W.C. Propane Gas 10.0" W.C.
2. Gas line connecting to appliance must be 3/4" diameter or larger. If flexible connectors are used, the inside diameter must be the same as the 3/4" iron pipe.
3. An adequate ventilation system is required for commercial cooking equipment. Information may be obtained by writing to the National Fire Protection Association, 1 Batterymarch Park, Quincy, MA 02169, www.NFPA.org. When writing, refer to NFPA No. 96.
4. These units are manufactured for installation in accordance with National Fuel Gas Code, ANSI-Z223.1/NFPA #54 (latest edition). Copies may be obtained from The American Gas Association, Accredited Standards Committee Z223

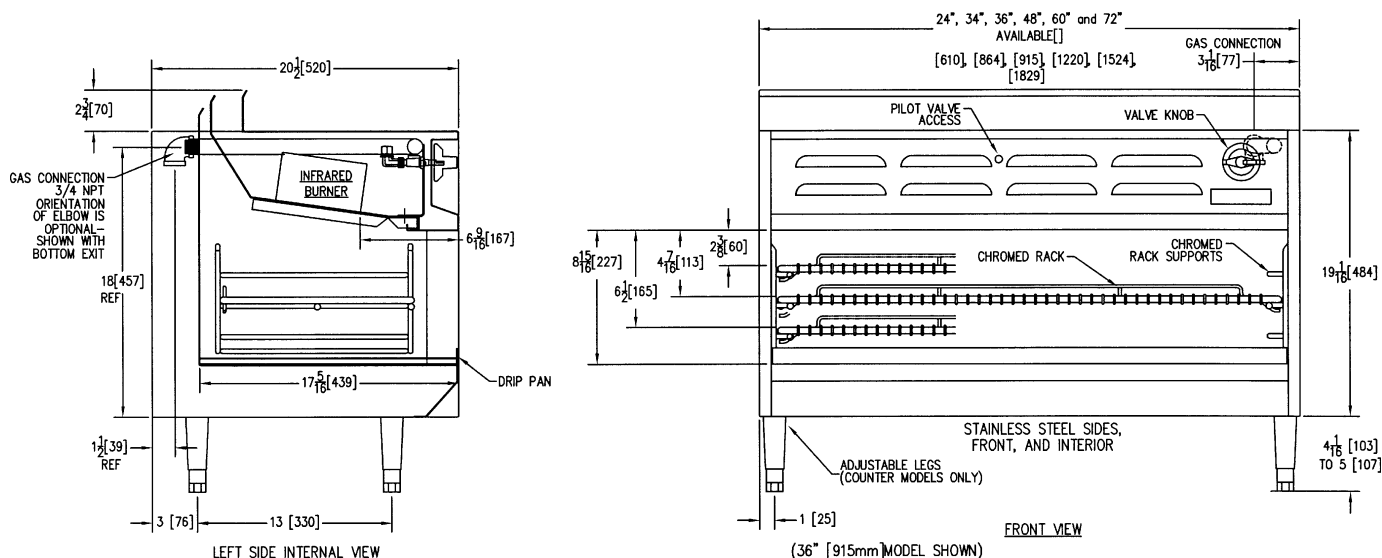
@ 400N. Capital St. NW, Washington, DC 20001, or the Secretary Standards Council, NFPA, 1 Batterymarch Park, Quincy, MA 02169-7471.

### NOTE: In the Commonwealth of Massachusetts

All gas appliances vented through a ventilation hood or exhaust system equipped with a damper or with a power means of exhaust shall comply with 248 CMR.

5. Clearances:

	Combustible	Non-Combustible
Rear	2"	0"
Sides	20"	0"
Bottom	10"	4"



MODEL NO.	WIDTH	DEPTH	HEIGHT	NUMBER OF BURNERS	TOTAL BTU/hr.	APPROX. SHP. WT. (lbs./kg)
CMJ24	24"	20½"	19¼"	1	18,000	106/48
CMJ34	34"	20½"	19¼"	1	24,000	159/72
CMJ36	36"	20½"	19¼"	1	24,000	159/72
CMJ48	48"	20½"	19¼"	2	36,000	212/95
CMJ60	60"	20½"	19¼"	2	42,000	265/119
CMJ72	72"	20½"	19¼"	2	48,000	318/143

**NOTE: In line with its policy to continually improve its product, Wolf Range Company reserves the right to change materials and specifications without notice.**

***This appliance is manufactured for commercial use only and is not intended for home use.***