



MODEL: WEG HEAVY DUTY ELECTRIC GRIDDLE

WOLF RANGE COMPANY



WEG36D

BASIC MODELS:

WEG24R	24" w x 18" d griddle plate
WEG36S	36" w x 18" d griddle plate
WEG36D	36" w x 24" d griddle plate
WEG48D	48" w x 24" d griddle plate
WEG60D	60" w x 24" d griddle plate
WEG72D	72" w x 24" d griddle plate

KEY FEATURES:

- ▶ Stainless steel front, sides and 4" adjustable Legs.
- ▶ 1/2" thick polished steel griddle plate.
- ▶ 13" cooking height on 4" adjustable legs.
- ▶ *Two solid sheathed tubular incoloy heating elements, one snap action thermostat and cycling light per each 12" griddle width. Thermostats adjust from 200° to 450° F.
- ▶ Stainless steel 4" back and tapered side splashes.
- ▶ 3 1/8" wide front grease trough empties into a large capacity grease drawer.
- ▶ Available in 208V or 240V , 50/60 Hz, 1 or 3 phase power supply. 480V , 50/60 Hz 3 phase power supply.
- ▶ One year limited parts and labor warranty.

*WEG24R and WEG36S have one large, tubular incoloy heating element per 12" griddle width.

OPTIONAL FEATURES:

- ▶ Stainless steel stand with marine edges and Casters.

DESCRIPTION:

Heavy duty electric griddle, Wolf Model No. Stainless steel front and sides. 13" cooking height on 4" adjustable legs. 1/2" thick polished steel griddle plate. Tubular incoloy elements and one snap action thermostat for every 12" of griddle width. Thermostats adjust from 200° to 450° F. Stainless steel 4" back and tapered side splashes. 3 1/8" wide front grease trough empties into large capacity grease drawer. Available in 208V, 240V 50/60 Hz, 1 or 3 phase. 480V 50/60 Hz 3 phase.

MODEL: WEG ELECTRIC GRIDDLE



Approved by _____

Date: _____

SPECIFY VOLTAGE WHEN ORDERING

WOLF RANGE COMPANY

WOLF RANGE COMPANY
Division of ITW Food Equipment Group LLC
(800) 366-9653
www.wolfrange.com

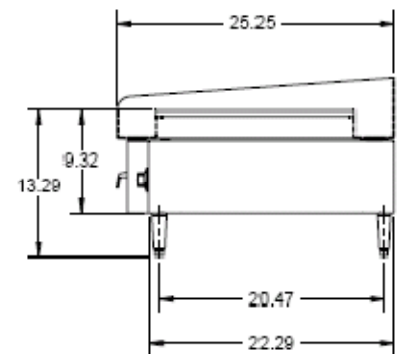
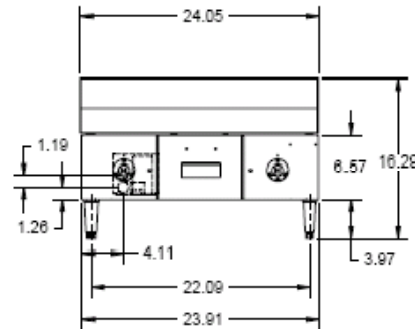
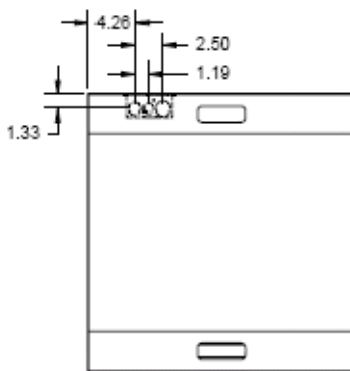


MODEL: WEG HEAVY DUTY ELECTRIC GRIDDLE

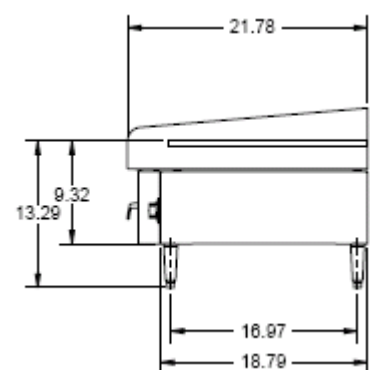
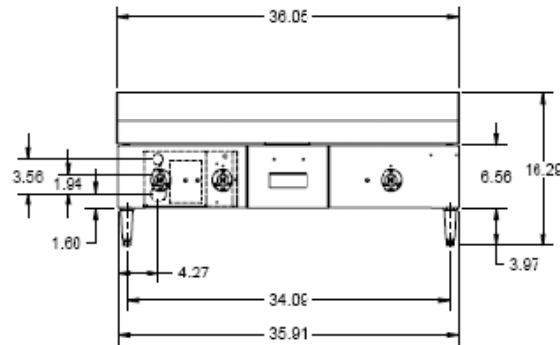
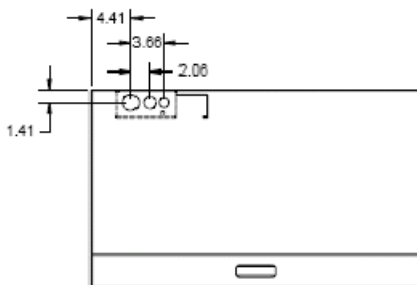
ELECTRICAL CHARACTERISTICS

STANDARD VOLTAGES-208 VOLTS OR 240 VOLTS 60 Hz.-SINGLE OR THREE PHASE 480 VOLTS 60 Hz.-THREE PHASE ONLY																
MODEL NO.	TOTAL CONN. KW	TOTAL KW PER CONN	3 PHASE LOADING KW PER PHASE PER CONN.*			NOMINAL AMPS PER LINE WIRE CONN.*										
						3 PHASE									1 PHASE	
						208 VOLT			240 VOLT			480 VOLT			208	240
			X-Y	Y-Z	X-Z	X	Y	Z	X	Y	Z	X	Y	Z	VOLT	VOLT
WEG24R	8.0	8.0	4.0	0.0	4.0	38.5	19.3	19.3	28.9	16.7	16.7	14.4	8.3	8.3	38.5	33.3
WEG36S	12.0	12.0	4.0	4.0	4.0	33.4	33.4	33.4	28.9	28.9	28.9	14.4	14.4	14.4	57.7	50.0
WEG36D	16.2	16.2	5.4	5.4	5.4	45.0	45.0	45.0	39.0	39.0	39.0	19.5	19.5	19.5	77.9	67.5
WEG48D	21.6	21.6	10.8	5.4	5.4	68.7	68.7	45.2	59.5	59.5	39.0	29.8	29.8	19.5	103.9	90.0
WEG60D*	27.0	16.2	5.4	5.4	5.4	45.0	45.0	45.0	39.0	39.0	39.0	19.5	19.5	19.5	77.9	67.5
		10.8	5.4	0.0	5.4	45.0	26.0	26.0	39.0	22.5	22.5	19.5	11.3	11.3	51.9	45.0
WEG72D*	32.4	16.2	5.4	5.4	5.4	45.0	45.0	45.0	39.0	39.0	39.0	19.5	19.5	19.5	77.9	67.5
		16.2	5.4	5.4	5.4	45.0	45.0	45.0	39.0	39.0	39.0	19.5	19.5	19.5	77.9	67.5

*Model WEG60D and WEG72D require two separate electrical connections and services.



WEG24R



WEG36S

NOTE: In line with its policy to continually improve its product, Wolf Range Company reserves the right to change materials and specifications without notice.

This appliance is manufactured for commercial use only and is not intended for home use.



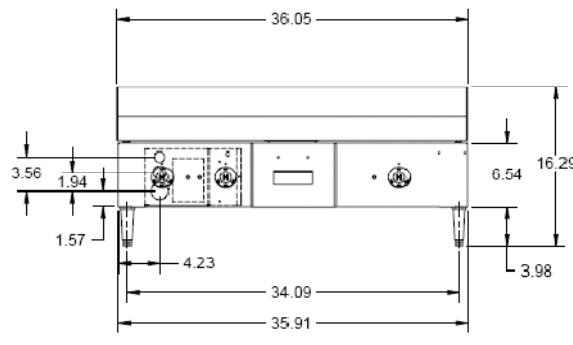
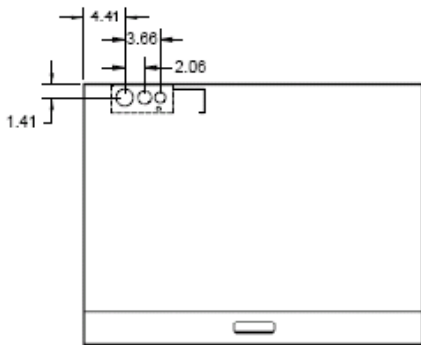
MODEL: WEG HEAVY DUTY ELECTRIC GRIDDLE

DATA CHART

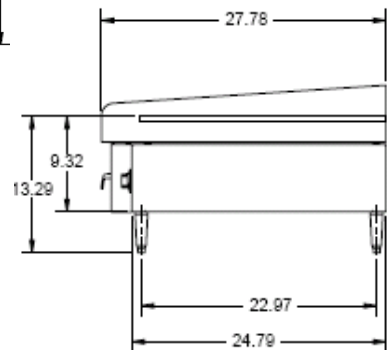
MODEL No.	OVERALL DIMENSIONS			GRIDDLE SURFACE DIMENSIONS		SHIP WT. lbs/kg
	WIDTH	DEPTH	HEIGHT	WIDTH	DEPTH	
WEG24R	24" (610)	25 $\frac{1}{8}$ "(639)	16 $\frac{3}{8}$ " (415)	24" (610)	18"(457)	165/75
WEG36S	36"(914)	21 $\frac{3}{8}$ "(549)	16 $\frac{3}{8}$ "(415)	36"(914)	18"(457)	190/86
WEG36D	36" (914)	27 $\frac{3}{8}$ " (702)	16 $\frac{3}{8}$ " (415)	36" (914)	24" (610)	230/104
WEG48D	48" (1219)	27 $\frac{3}{8}$ " (702)	16 $\frac{3}{8}$ " (415)	48" (1219)	24" (610)	275/125
WEG60D	60" (1524)	27 $\frac{3}{8}$ " (702)	16 $\frac{3}{8}$ " (415)	60" (1524)	24" (610)	420/190
WEG72D	72" (1821)	27 $\frac{3}{8}$ " (702)	16 $\frac{3}{8}$ " (415)	72" (1821)	24" (610)	560/254

(Dimension in parenthesis are in millimeters)

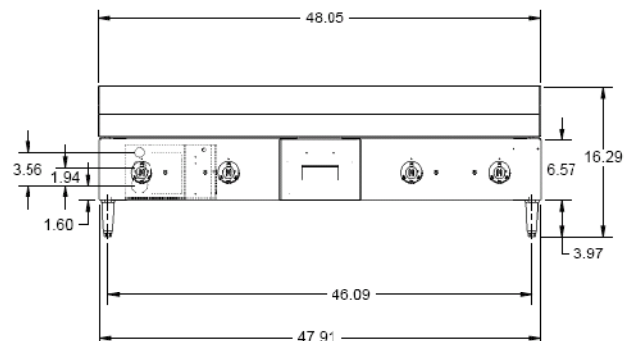
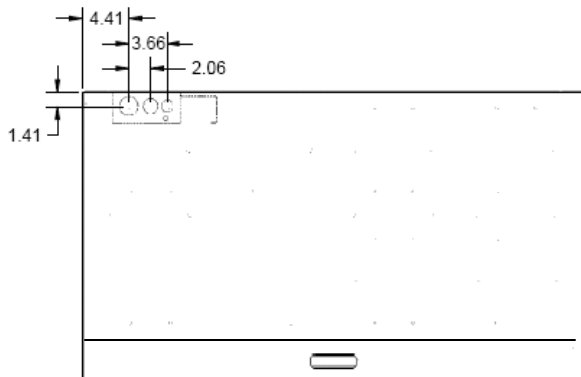
Installation clearances: Sides and rear must be 1" from the nearest combustible construction and 0" from non-combustible construction. Bottom must be 4" from combustible or non-combustible construction.



WEG36D



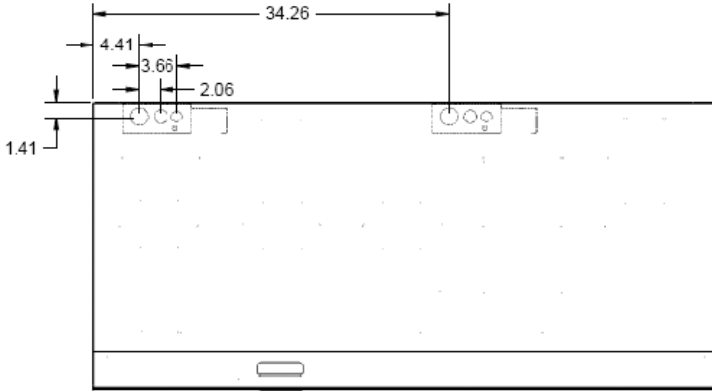
**SIDE VIEW
WEG48D AND WEG60D**



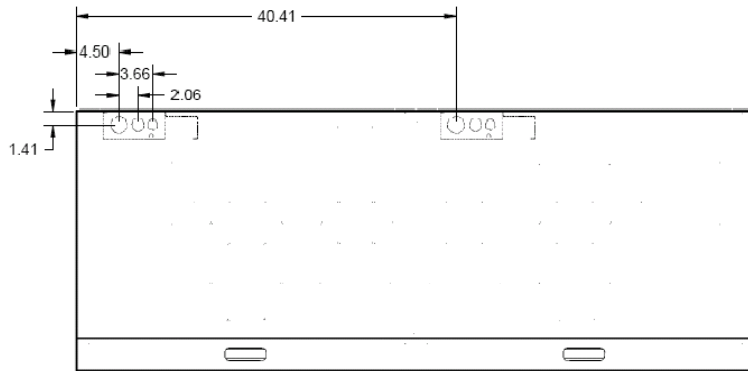
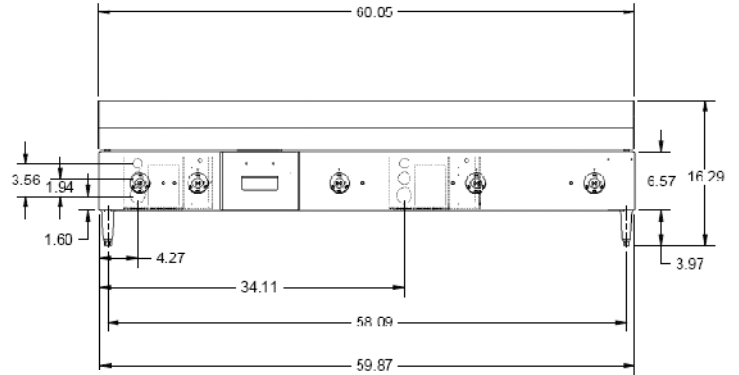
WEG48D



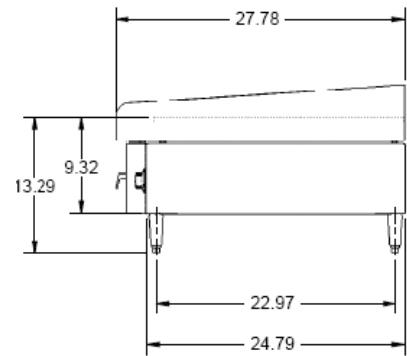
MODEL: WEG HEAVY DUTY ELECTRIC GRIDDLE



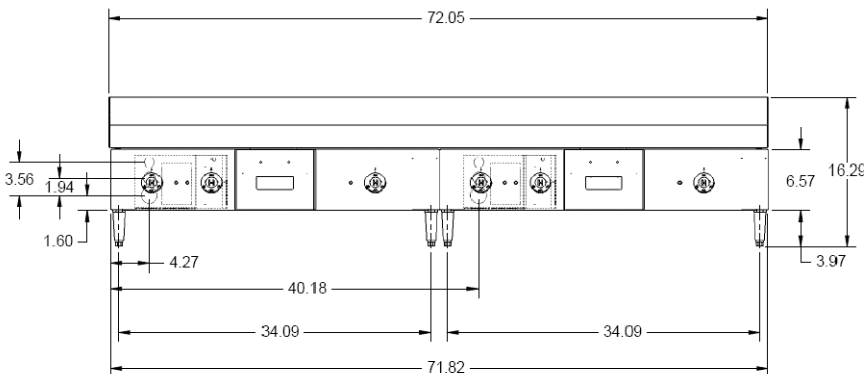
WEG60D



WEG72D



**SIDE VIEW
WEG60D & WEG72D**



NOTE: In line with its policy to continually improve its product, Wolf Range Company reserves the right to change materials and specifications without notice.

This appliance is manufactured for commercial use only and is not intended for home use.